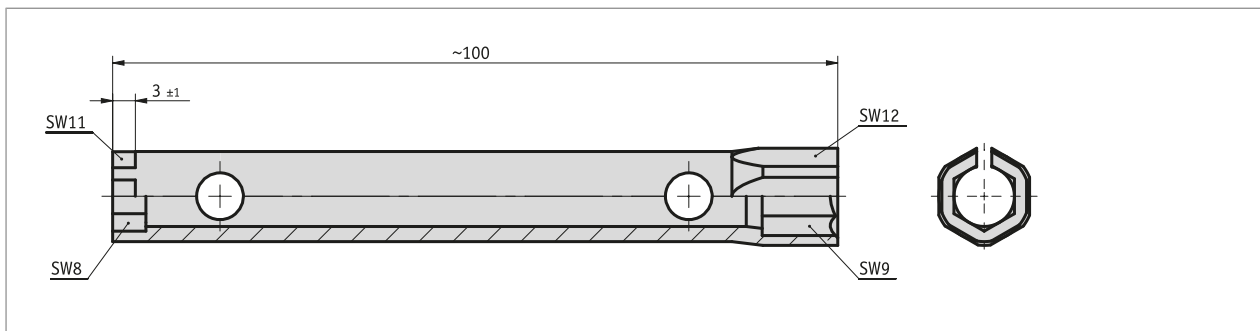
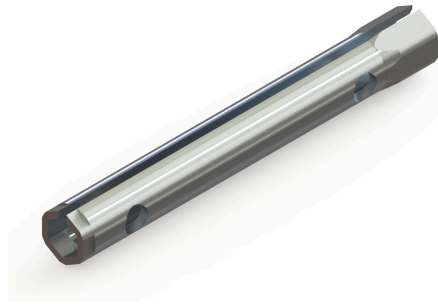


Profile

- for easy mounting of the M6 fastening screw of wire-actuated encoders in the SGH series
- slotted side prevents damage to the wire during assembly



Mechanical data

Feature	Technical data	Additional information
Material	tool steel	

Order

- Order key

ZB4008