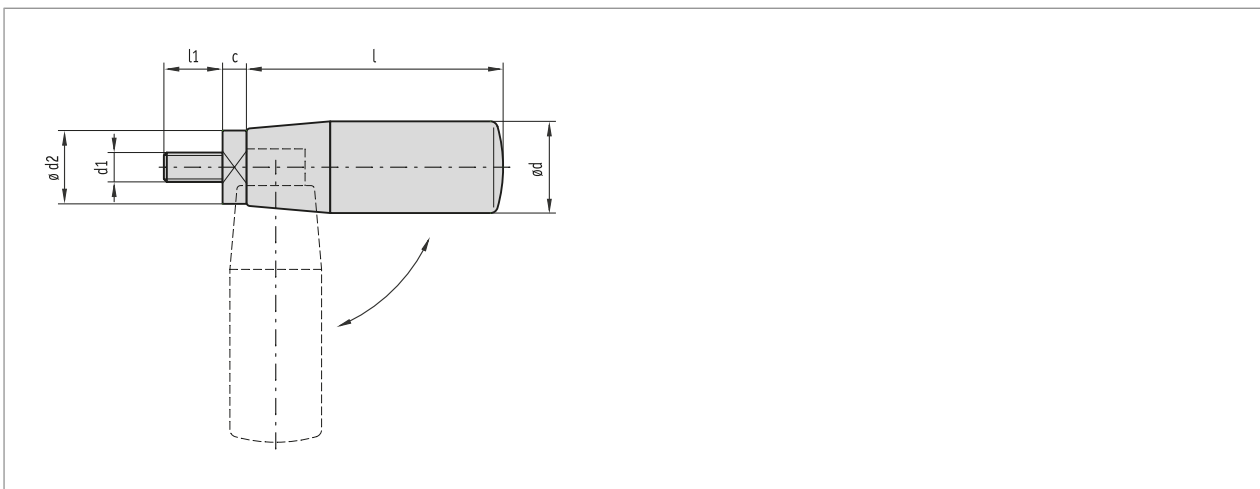


Profile

- Customized handling
- Easy to mount
- Space-saving handle



Mechanical data

Feature	Technical data	Additional information
Material	metal/plastic	

■ Dimensions

d	d1	d2	l	l1	c
25	M8	19	69	10	6
26	M10	26	82	17	7.5

Order

■ Ordering table

Feature	Ordering data	Spezifikation	Additional information
size	A M8	M8	
	M10	M10	

■ Order key

UG -