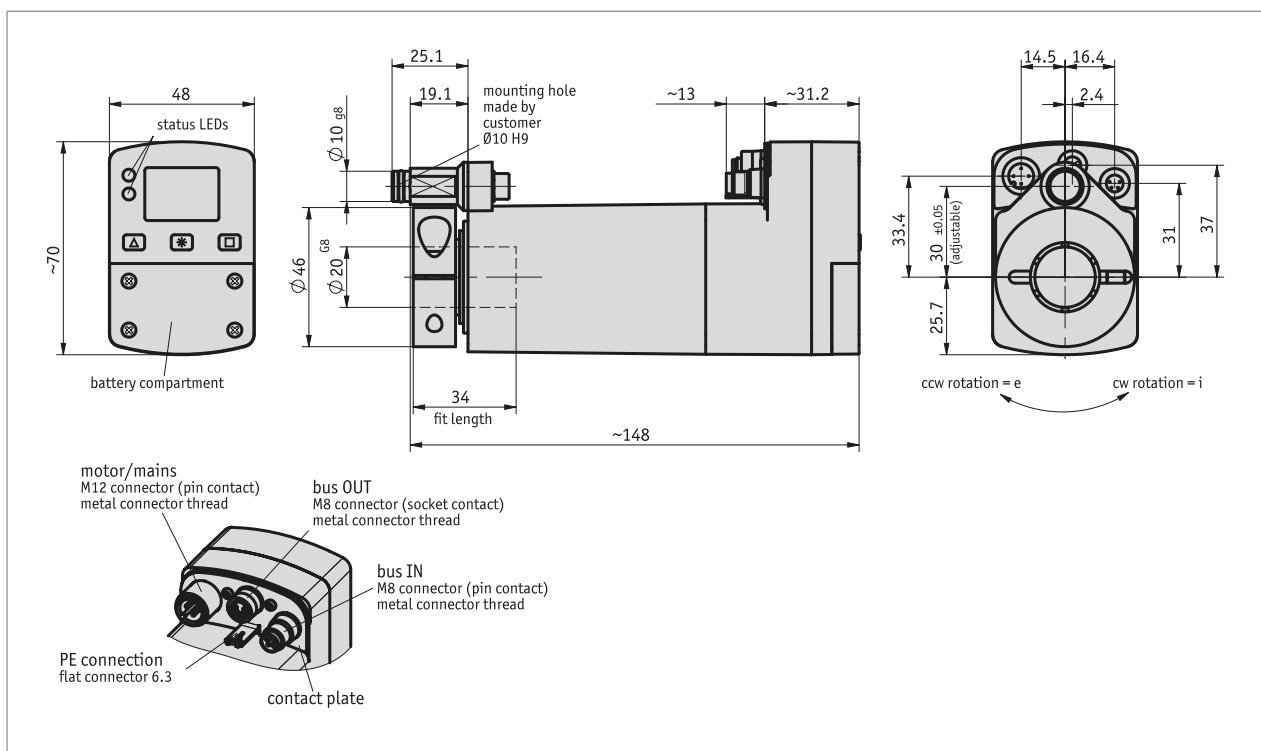


### Profile

- easy mounting, no additional coupling needed
- stainless steel hollow shaft, glass fibre reinforced casing
- brushless 24 VDC motor with long service life
- solid absolute sensor, magnetic sensing technology
- 2-line LCD for target and position value and operating keys
- 2 LEDs for user guidance
- integrated RS485 or CANopen interface
- Integrated positioning controller
- M8 + M12 component mounting technology
- Industry 4.0 ready



### Mechanical data

Feature	Technical data	Additional information
shaft	rustproof stainless steel	
Housing	glass-fiber reinforced plastic	
clamping ring	rustproof stainless steel	
Torque pin	rustproof stainless steel	
Nominal torque/rated speed	7 Nm at 30 min <sup>-1</sup> ±10%	i = 188
	13 Nm at 15 min <sup>-1</sup> ±10%	i = 368 (temporarily permissible breakaway torque 14 Nm)
Operating mode	S3 intermittent operation: 25 % DC, 10 min.	EN 60034-1
Weight	~0.9 kg	

### Electrical data

Feature	Technical data	Additional information
Operating voltage	24 V DC $\pm 10\%$	reverse polarity protected, output stage
	24 V DC $\pm 10\%$	reverse polarity protected, control
Current consumption	2.42 A	max. adm. at set point 100% (output stage)
Power input	$\leq 58$ W	output stage
	$\leq 1.6$ W	control
Battery	CR2477N, 3 V lithium, 950 mAh	
Battery service life	~5 Year(s)	depending on ambient conditions
Parameter storage	$10^6$ cycles	also applies to calibration operations
Rated current	2.2 A $\pm 10\%$	at max. adm. torque (output stage)
	$< 60$ mA at 24 V DC (control)	
Display/display range	5-digit LCD 7-segment, ~7 mm height	decimal points, 2 rows, special characters
Special character	battery, direction arrows	
Status display	2 LEDs	
Keys	parameterizing, resetting, inching, setpoint definition	
Bus connection	RS485, CANopen	no galvanic isolation
Type of connection	1x M12-plug connector (A-coded)	4-pole, 1x pin
	2x M8 plug connectors (A-coded)	4-pole, 1x socket, 1x pin
	grounding via flat connector 6.3 mm	

### System data

Feature	Technical data	Additional information
Resolution	720 Increments/revolution, shaft	
Repeat accuracy	$\pm 1$ Increment(s)	
Travel range	$\pm 697$ rotation(s)	i = 188
	$\pm 356$ rotation(s)	i = 368
Failure rate	31 Year(s)	CAN, at 60° C (MTBF) according to SN 29500
	31.3 Year(s)	S3/09, at 60° C (MTBF) according to SN 29500

### Ambient conditions

Feature	Technical data	Additional information
Ambient temperature	0 ... 45 °C	
Storage temperature	-20 ... 60 °C	
Relative humidity		condensation inadmissible
EMC	EN 61800-3, second environment	interference resistance / immission
	EN 61800-3, C3	emitted interference / emission
Protection category	IP54, IP65	EN 60529, with mating connector fitted
Shock resistance	500 m/s <sup>2</sup> , 11 ms	EN 60068-2-27
Vibration resistance	$\leq 100$ m/s <sup>2</sup> , 5 ... 150 Hz	EN 60068-2-6

### pin assignment

#### ■ Operating voltage M12 (A-coded)

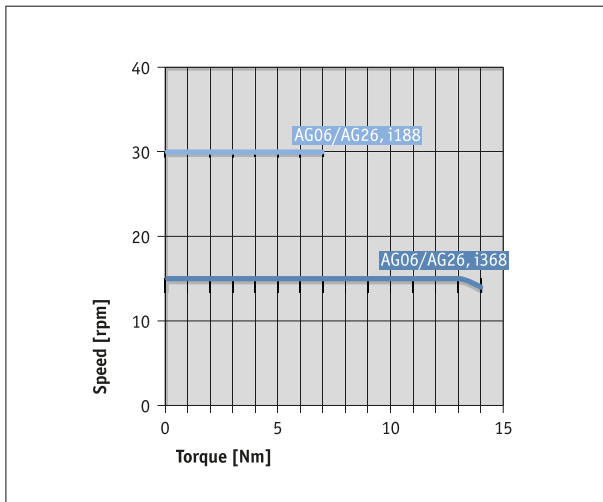
Signal	PIN
+24 V Output stage	1
+24 V Control	2
GND Output stage*	3
GND Control*	4

#### ■ Interfaces M8

Signal	PIN
DÜB/TxRX-/CANL	1
DÜA/TxRX+/CANH	2
Do not connect!	3
SGND*	4

\* internally connected

### Performance curve



### Industry 4.0

In most cases, data exchange with the actuators is limited to the exchange of process data. In addition to the process data, intelligent drives provide additional information that can be evaluated for condition monitoring up to predictive maintenance:

Process data	Smart Value	Smart Function
Actual position	Temperature	Overload, ambient temperature
"Target position"	current	Torque, overload
Speed	Volatage load Voltage control	Voltage drop, line break
	On/Off time	Operating time
	Battery voltage	Battery change planning

### Order

#### ■ Ordering table

Feature	Ordering data	Spezifikation	Additional information
Gear ratio	A 188 368	i = 188 i = 368	
Protection category	B IP54 IP65	IP54 IP65	
shaft design/diameter	C KR/20	clamping ring, ø20 mm others on request	
interface/protocol	D S3/09 CAN	RS485/SIKONETZ5 CANopen	

#### ■ Order key

AG06 -  - 50W -  -  - B - ABM -  - SW

**Scope of delivery:**

AG06, Quick Start Guide

**Accessories you can find:**

Easy touch control ETC5000

[www.siko-global.com](http://www.siko-global.com)

Cable extension KV04S1

[www.siko-global.com](http://www.siko-global.com)

Cable extension KV04S2

[www.siko-global.com](http://www.siko-global.com)

Programming software ProTool DL

[www.siko-global.com](http://www.siko-global.com)

Overview, Mating connector

[www.siko-global.com](http://www.siko-global.com)

Mating connector, Operating voltage, 4-pole, angle socket

Order key 83091

Mating connector, Fieldbus IN, 4-pole, socket

Order key 84209

Mating connector, Fieldbus OUT, 4-pole, pin

Order key 84210

Bus terminating connector, fieldbus, 4-pole, pin

Order key BAS-0005